



TST1200
Tissue Grossing Station
Operation Manual

AMOS SCIENTIFIC PTY.LTD. ABN37 159 778 140

www.amos-scientific.com

Foreword

TST-1200 is a Pathologic Tissue Grossing Station whose design concept comes from customers all over the world, it can meet different requirements for tissue section.

To ensure the instrument works properly, safely and perform durably, it is necessary to read the operation manual carefully.

Our companies are not only responsible for the repair, but also train distributors' ability of repairing. To repair the product smoothly in time, please contact your local distributor. Notice: With the development of technology and constantly updating of products, this manual will make the corresponding changes. Please forgive us not to notify the improvement of technical data and structure.

Contents

1.Basic configuration	1
2.Function	1
3.Technical Structure	2
4.Installation Method	3
5.Maintenance	10

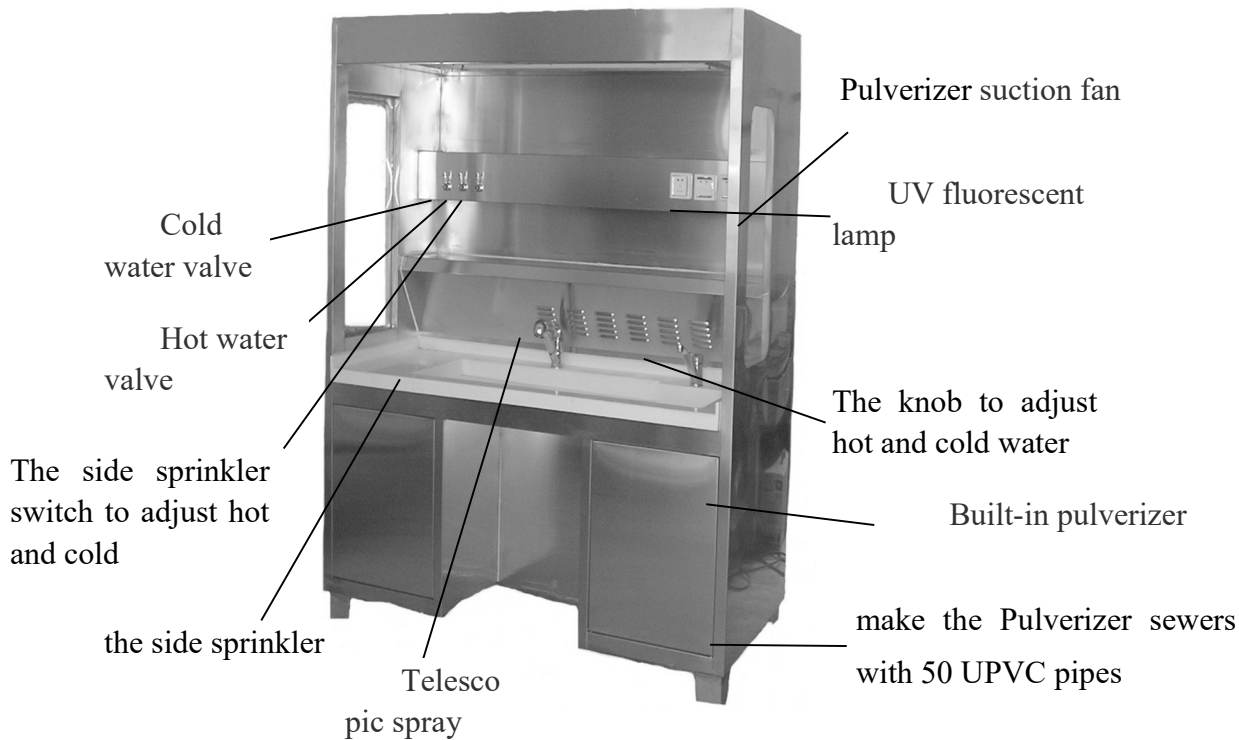
Basic configuration

- ★ Stainless steel housing
- ★ The low exhaust system
- ★ Cold and hot water system
- ★ Air sterilization lamp
- ★ Illuminating lamp
- ★ Stainless steel table fitted with lateral spray system, washing pond and omni-directional mobile telescopic faucet
- ★ Pulverizer

Function

1. The overall housing is made of the imported stainless steel with 1.2mm thick. It is corrosion resistance, durable, and detachable.
2. The spray(running water to wash) system located at the right side of the table makes it convenient to wash the table top to create a cleaner working area.
3. The cold and warm water systems is designed for the climate in different regions to ensure that the doctors work in a comfortable environment. The metallic hose and telescopic water tap enable the doctor to wash different working areas.
4. The illuminating lamp provide enough lighting for working.
5. With the UV lamp sterilization, we can prevent the growth of bacteria.
6. The drain hopper with a strainer prevents small size tissue going down to the sewer.
7. You can store and check specimens on big table-board.
8. The Around block water prevent water spill.
9. The unique integrated water pond meets the requirement for washing large size specimen .
10. The round corner design of the table enables easier cleaning.
11. The down exhaust is lower than waist which make the air flow reverse movement with workers.

The design protect workers being encroached from the gas, such as formaldehyde.



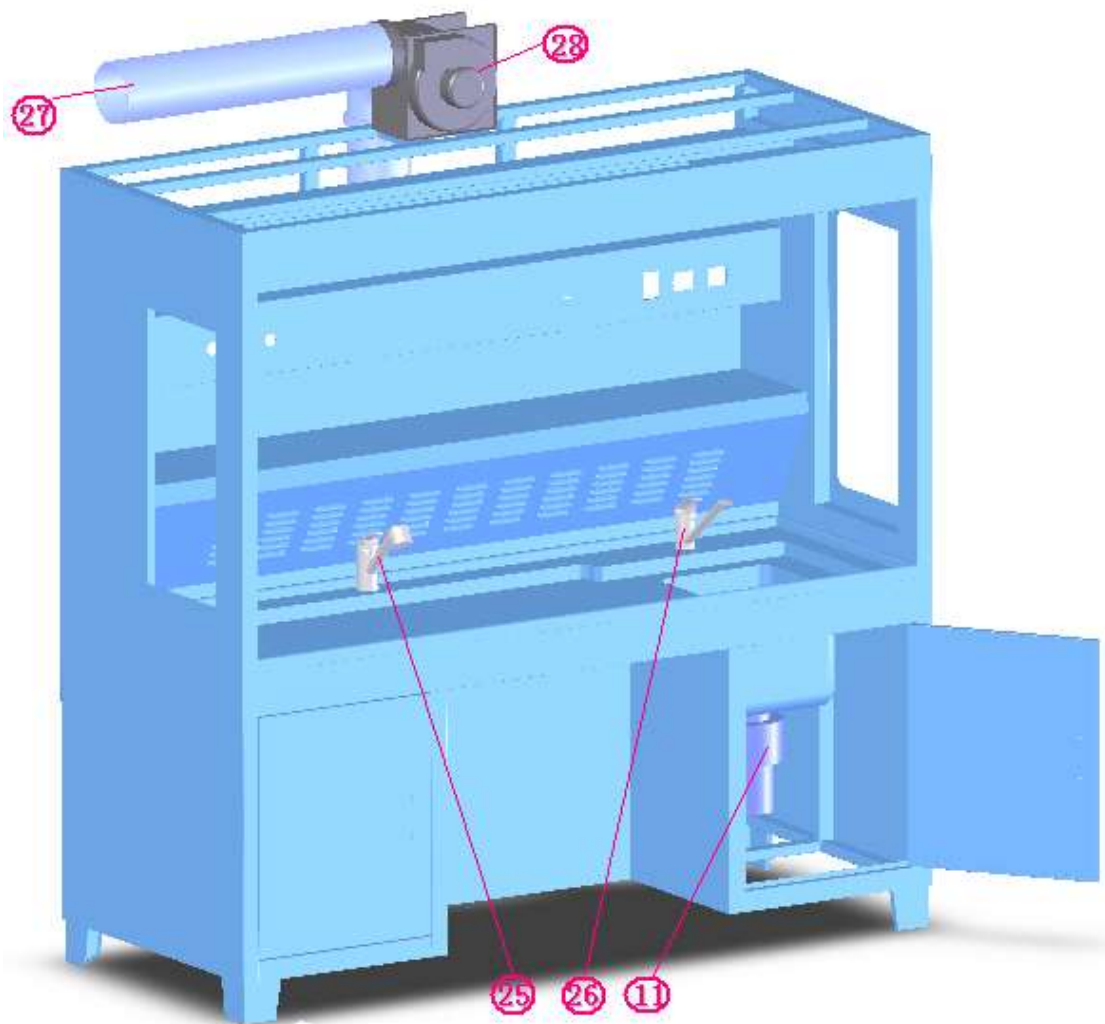
Technical Structure

- ◆ Standard outside dimensions (mm): 1700(L) x 2000(H) x 800(W)
- ◆ These dimensions can be changed according to the user's requirement.
- ◆ Power supply: 220V± 10% at 50Hz
- ◆ Power: fans : 275w, water heater: 1000w, fluorescent lamp: 40w, ultraviolet ray: 40w, hand dryer: 60W, pulverizer: 200W
- ◆ Weight: 175kg

Installation Method

● Pulverizer installation

1. Loosen the screws and nuts by cross screwdriver and S10 open spanner to expand the fixing collar on rubber ring, then take out feed port and top & bottom plate from the pulverizer, as shown in chart 3.
2. Open the right door, put the rubber ring to feed port, then put the feed port into water bath 's outlet. Also put another rubber ring on feed port, and pressure the UP plate on it, then use a flat screwdriver to withstand the three supporting screws of DOWN plate , the Up plate will easy to locked the feed port and water bath's outlet , as shown in chart 1, 4.
3. Put the rubber ring into grooves of feed port and clamp it by fixing collar, then tighten the screws and nuts, as shown in chart 4.
4. Plug the bend pipe without thread into a thread gland bush, and put one small gasket into the bend pipe. The big section area of the small gasket should be face to left. Then plug one side without thread of the bend pipe into pulverizer's outlet, twist the thread gland bush to the outlet , and bond the thread gland bush and the bend pipe together by AB glue, as shown in chart 5.
5. Slip another thread gland bush into the side of $\phi 40$ PVC downcomer and put another small gasket into the downcomer. The big section area of the small gasket should be face to down. Then twist the thread gland bush to the side with thread of the bend pipe.
6. Plug the other side of $\phi 40$ PVC downcomer into $\phi 50$ PVC downcomer 1, the other side of $\phi 50$ PVC downcomer 1 into $\phi 50$ PVC downcomer elbow, the $\phi 50$ PVC downcomer 2 into $\phi 50$ PVC downcomer elbow and connect the other side of $\phi 50$ PVC downcomer 2 into the main sewage conduit, as shown in chart 2, 5.



① Pulverizer ② Telescopic faucet ③ Vertical faucet ④ ϕ 160 PVC air outlet duct ⑤ Suction fan

Chart 1

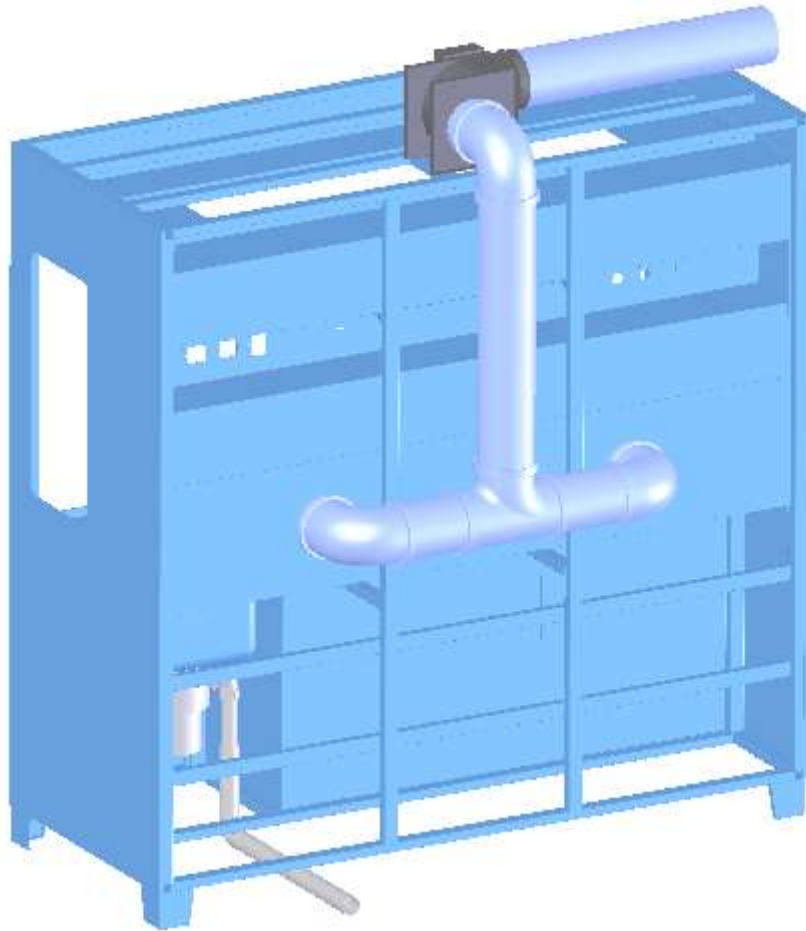
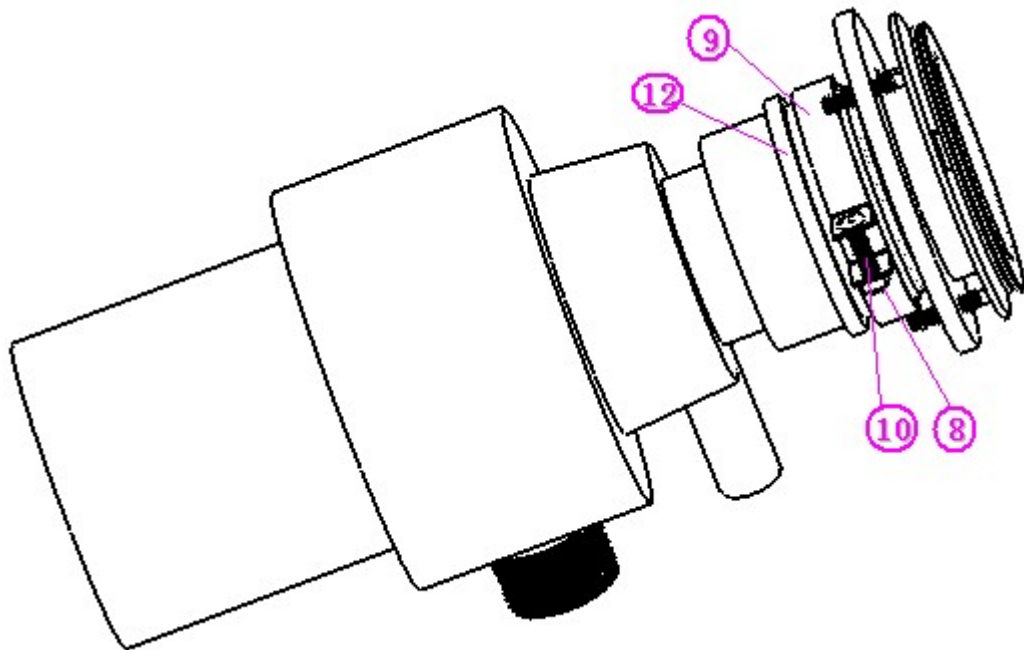


Chart 2



⑧--Nut ⑨-- Fixing collar ⑩--Screw ⑫-- Rubber Ring **Chart 3**

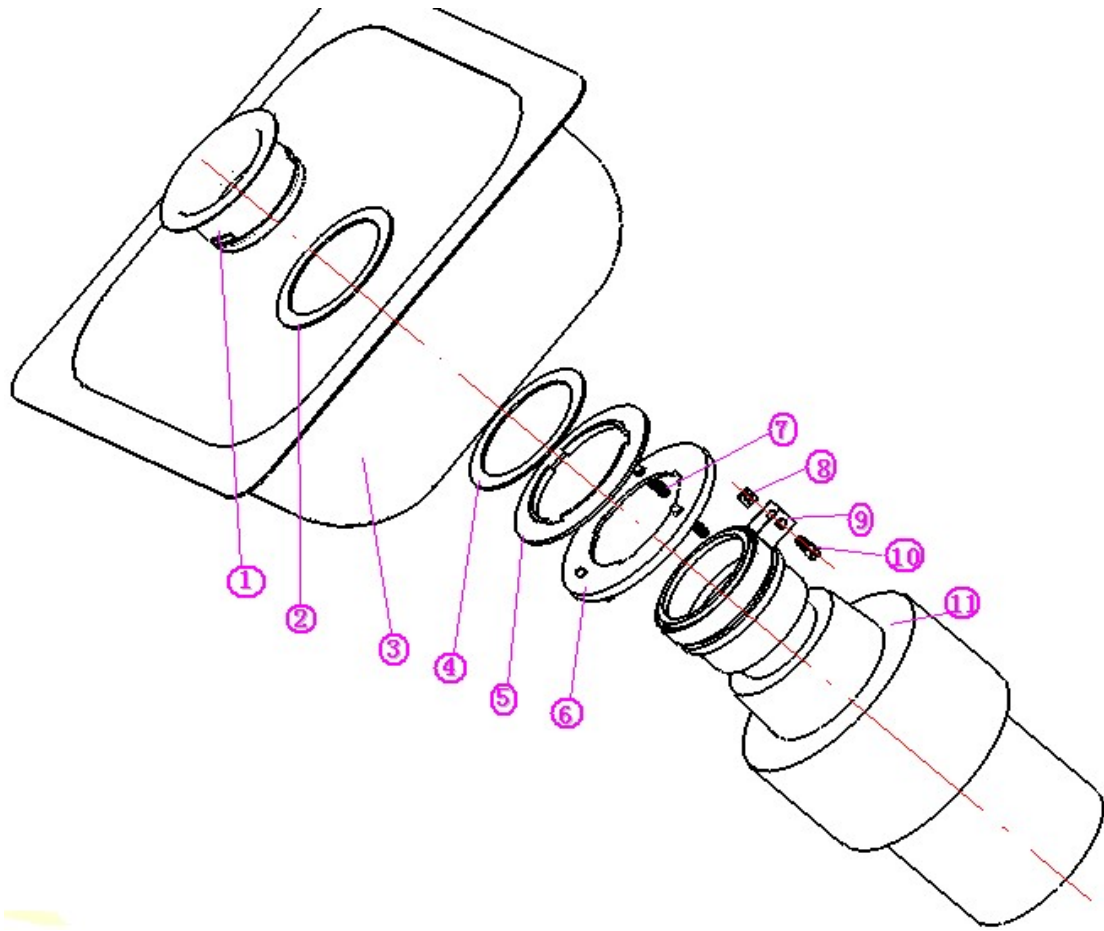


Chart 4

①—Feed port ②—Rubber ring ③—water bath ④—Rubber ring ⑤—Up plate ⑥—Down plate ⑦—Supporting screw ⑧—Nut ⑨—Fixing collar ⑩—Screw ⑪--Pulverizer

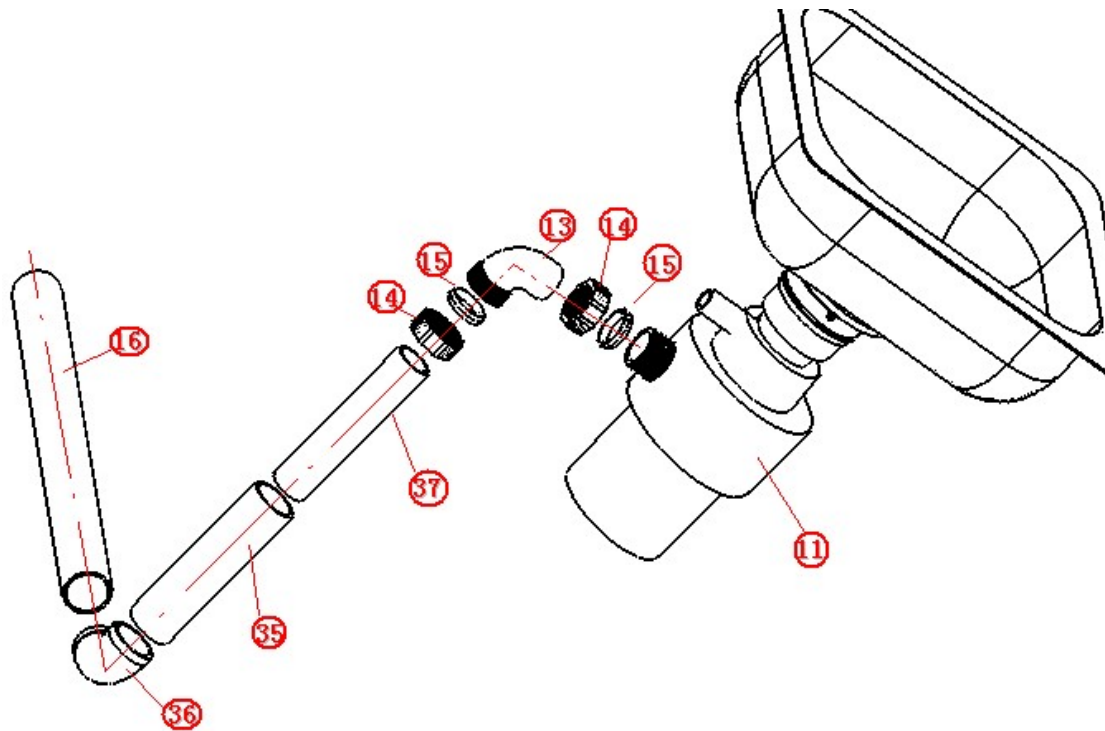


Chart 5

- ① —Pulverizer ⑬ Bend pipe ⑭ —Thread gland bush ⑮ —Small gasket ⑯ -- ϕ 50 PVC
 downcomer 2 ⑳ — ϕ 50 PVC downcomer 1 ㉑ -- ϕ 50 PVC downcomer elbow ㉒ -- ϕ 40
 PVC downcomer

● Faucet installation

1. Put the chassis under the faucet, and put the rubber gasket into the bath which under the faucet, then put faucet and chassis into the mounting hole of the table. The rubber horseshoe unit and steel horseshoe unit should be orderly arranged under the table. After that, screw two bolts into the threaded hole under the faucet and tight the nut to fix the steel horseshoe unit by S8 open spanner, as shown in chart 1, 6.
2. The cold and hot steel braided hose should be installed separately under the cold and hot water inlet, then connect the other side of steel braided hose to the joint of cold and hot water inlet by the monkey spanner. Check the pipe connector whether there is a leakage phenomenon, as shown in chart 1, 6.

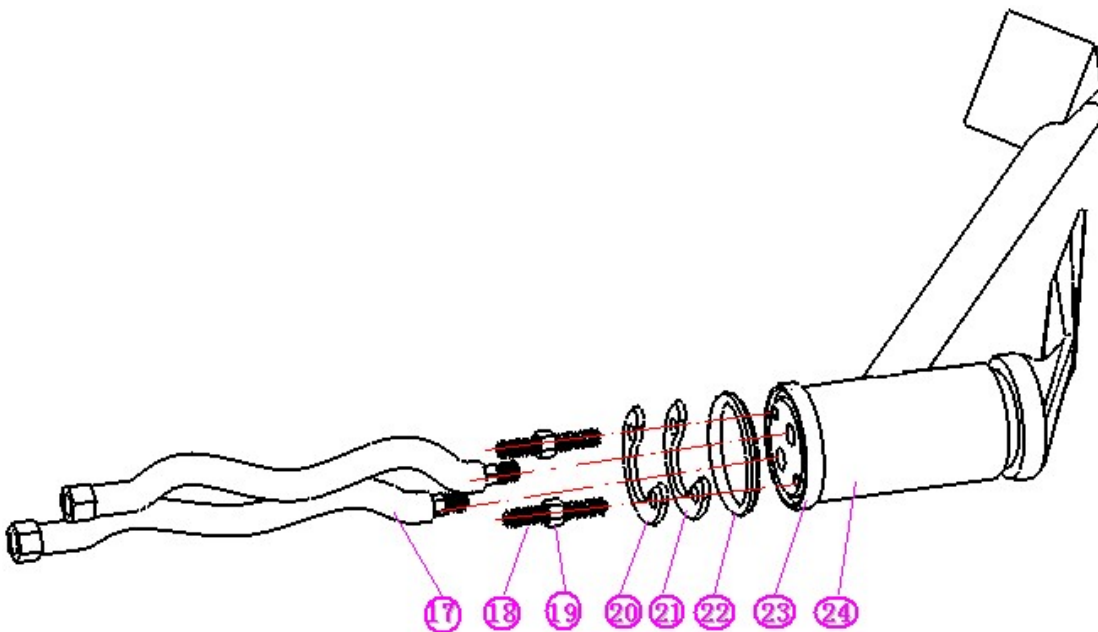


Chart 6

- ⑰-- Steel braided hose ⑱-- Bolt ⑲-- Nut ⑳-- steel horseshoe unit ㉑-- Rubber horseshoe unit ㉒-- Rubber gasket ㉓-- Chassis ㉔-- Faucet

● Fan installation

1. Install the suction fan to the top of the Grossing Station by four M5X30 bolt, four M5 nuts and four flat gaskets with size 5 . Don't tighten four bolts. As shown in chart 2.

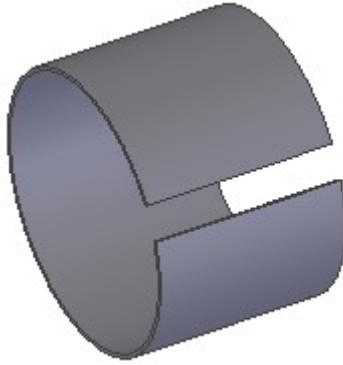


Chart 7

2. Make two casing with $\phi 200$ PVC duct, as shown in chart 7. The two casings are plugged into the $\phi 200$ PVC air outlet duct and $\phi 200$ PVC duct 1 separately. Then install the two casing, $\phi 200$ PVC air outlet duct and $\phi 200$ PVC duct 1 to the air intake and outlet of the suction fan, as shown in chart 8.
3. Put the two $\phi 200$ PVC ducts 3 and one $\phi 200$ PVC duct 2 into the $\phi 200$ PVC three-way connection pipe separately. Then install three $\phi 200$ PVC duct elbows to two accomplished $\phi 200$ PVC duct 3 and one $\phi 200$ PVC duct 2.
4. Put the $\phi 200$ PVC duct 1 into the $\phi 200$ PVC duct elbow on the $\phi 200$ PVC duct 2. And Put two $\phi 200$ PVC duct elbows into two air outlets of the machine. Seal junctions with electrical tape or glass cement.
5. Connect the $\phi 200$ PVC air outlet duct to the outdoor air outlet. The duct to the outdoor must be slant to prevent the rain or icy water which flow back into the suction fan. Seal junctions with electrical tape or glass cement.
6. Tighten the mounting screw of the suction fan. Bond two casing pipes to the $\phi 200$ PVC air outlet ducts and $\phi 200$ PVC duct 1 with AB glue separately. Seal junctions with electrical tape or glass cement. As shown in chart 2, 8.

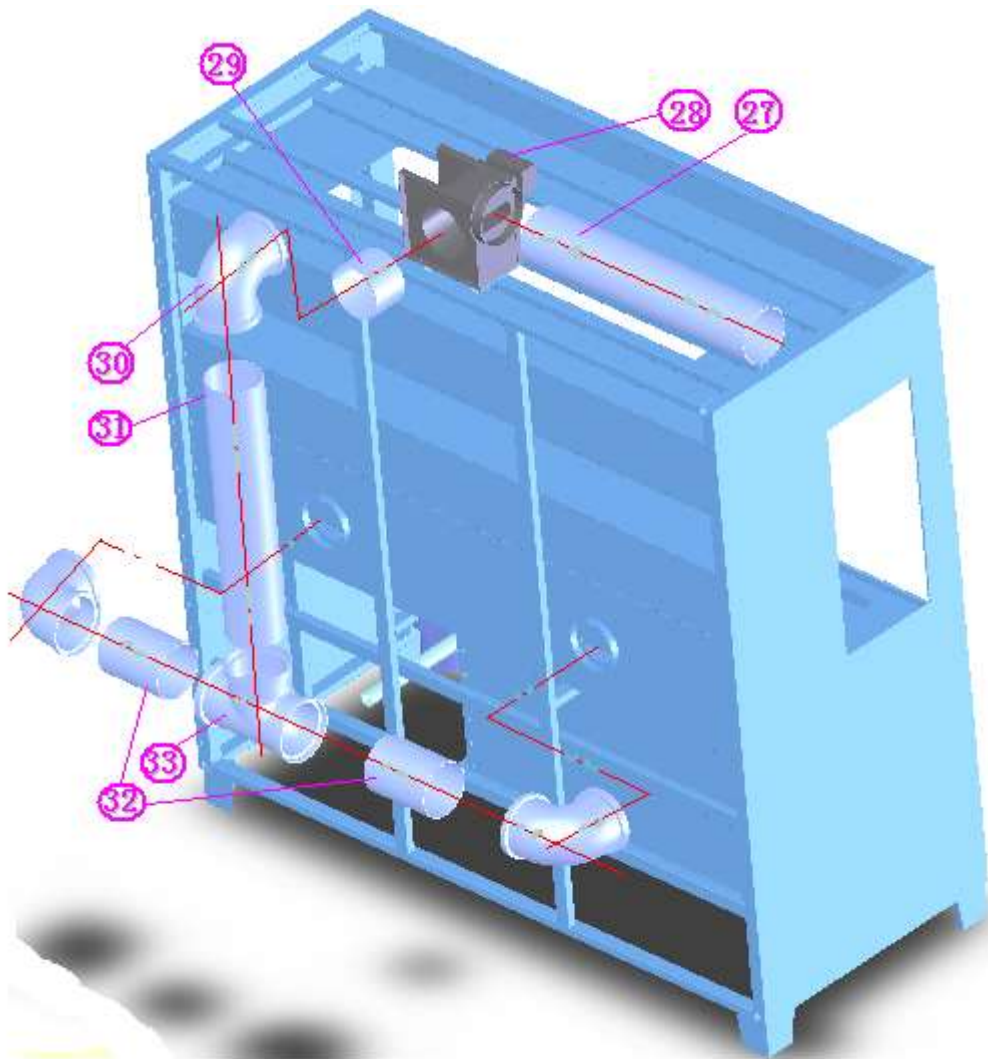


Chart 8

②⑦— ϕ 200 PVC air outlet duct ②⑧--Suction fan ②⑨— ϕ 200 PVC duct 1 ③⑩— ϕ 200 PVC duct elbow
 ③①— ϕ 200 PVC duct 2 ③②— ϕ 200 PVC duct 3 ③③— ϕ 200 PVC three-way connection

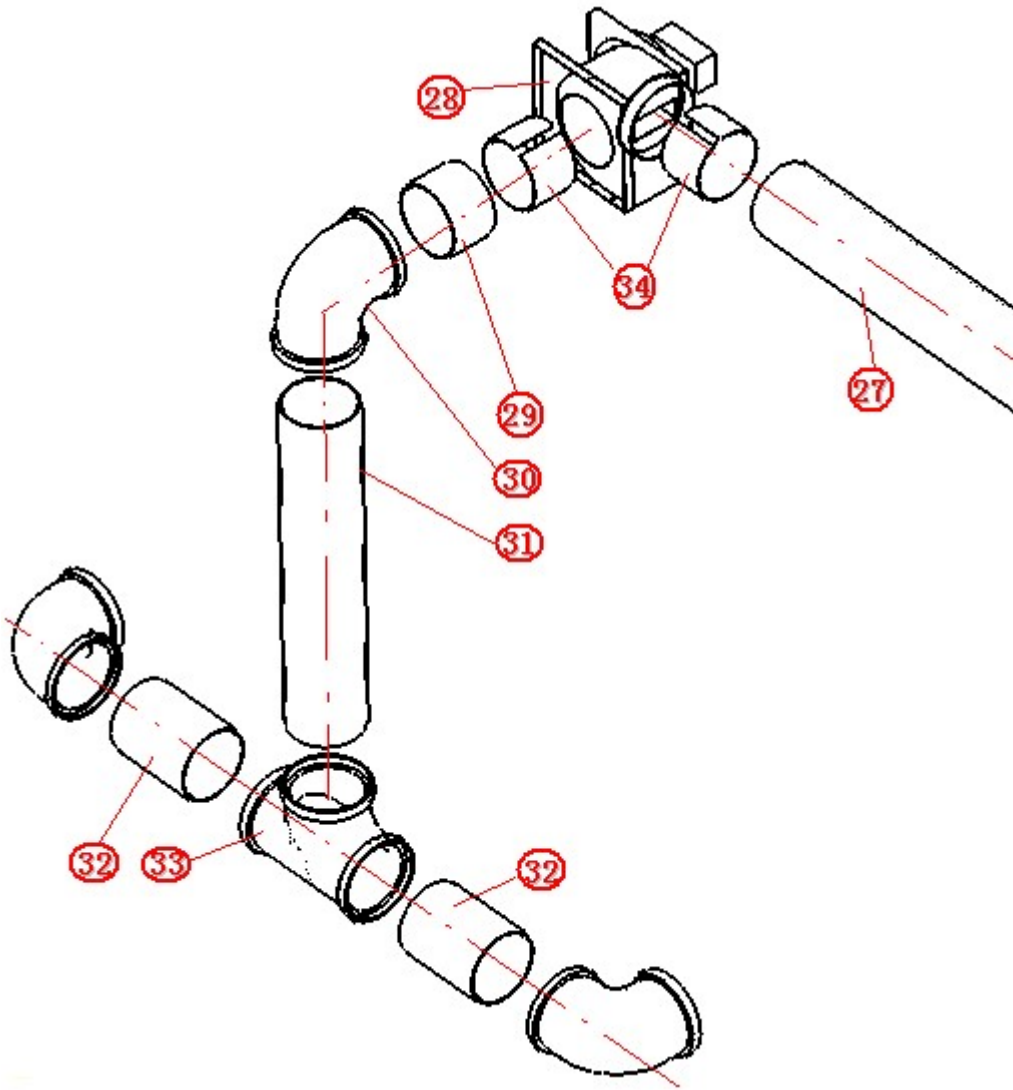


Chart 9

②⑦— ϕ 200 PVC air outlet duct ②⑧-- suction fan ②⑨-- ϕ 200 PVC duct 1 ③⑩-- ϕ 200 PVC duct elbow
 ③①-- ϕ 200 PVC duct 2 ③②-- ϕ 200 PVC duct 3 ③③-- ϕ 200 PVC three-way connection ③④
 --Casing

● Connection and examination

1. Connect the electric wires of the pulverizer and suction fan to corresponding power cord.
2. Connect the main power wire of grossing station to power source.
3. Turn on the pulverizer and exhaust fan then check whether the machine working normally.
4. Open the main water valve, turn on the water heater after ensuring the outlet of the water heater running normally. Open every tap and check for leaks.

Maintenance

1. Please read the manual carefully when working with machine. And according to the operation requirements strictly.
2. Maintain the cleanliness of the machine. Please remove residual material and dirt on the surface after the operation
3. Avoid using sharp objects to protect the worktable's surface.
4. Regarding suction fan: use 220V power source. Don't put anything near the air inlet and outlet, It's not allowed to face up to the outlet when examining and repairing.
5. Regarding pulverizer: use 220V power source. Don't put your hands into the machine. Use long fixture or pliers when you want to take something out of the machine. Please turn off the machine timely after handing rubbish. Don't keep the machine working overtime. To be safe, the following rubbish is not allowed to be crushed: shells, corrosive cleaner, glass, ceramics, plastics, metal and whole bone. Make sure the power is off before cleaning obstruction. When the machines are not in use, bung up the tank in case something fall into the machine. Because of handing too much rubbish and receiving so much currents, the machine stop working. Please restart the power after 20 minutes.

Standard accessories list**TST1200**

No	Accessory Name	Qty	Notes
1	Grossing station	1 unit	
2	Water heater	1pc	
3	Fan	1pc	
4	pulverizer	1pc	
5	hand dryer	1pc	
6	1.5M Soft tube	5pcs	
7	Corner valve	1pc	
8	Three way pipe	1pc	
9	Connector	4pcs	
10	Teflon Tape	1Roll	
11	Electrical cloth	1pcs	
12	AB glue	1pc	
13	Glass Cement	1pc	
14	Long handle	2pcs	
15	Operation Manual	1pc	

Published by:



AMOS SCIENTIFIC PTY.LTD

Address: 7 Gabrielle Court, Bayswater North VIC 3153 , AUSTRALIA

Tel: +61-4-10190188 Fax: +61-3-98081503

Website: www.amos-scientific.com

Email : info@amos-scientific.com